

OPERATIONAL SERVICES

SAFETY PROGRAM - SOCCER GOAL SAFETY AND EDUCATION

INTRODUCTION AND IDENTIFICATION OF ACT

Movable soccer goals may present a serious threat to the safety of children and adults from the dangers of unanchored or improperly anchored soccer goals tipping over.

The Illinois Movable Soccer Goal Safety Act, also known as Zach's Law, 430 ILCS 145/1 *et seq.*, requires that Community Consolidated School District 93 create a soccer goal safety and education policy that outlines how the District will specifically address the safety issues associated with movable soccer goals.

DEFINITIONS

The following words shall have the following meanings when used in this Policy:

"Act" means the Illinois Movable Soccer Goal Safety Act, also known as Zach's Law, 430 ILCS 145/1 *et seq.*,

"Authorized Personnel" means all District employees and all Permitted Users who have responsibility for or authorized use of any Movable Soccer Goal that is owned by the District or located upon the District's Property.

"District" means Community Consolidated School District 93, DuPage County, Illinois.

"Movable Soccer Goal" means a freestanding structure consisting of at least 2 upright posts, a crossbar, and support bars that is designed: (1) to be used by adults or children for the purposes of a soccer goal; (2) to be used without any other form of support or restraint (other than pegs, stakes, augers, counter-weights, or other types of temporary anchoring devices); and (3) to be able to be moved to different locations.

"Organization" means any unit of local government other than the District, and any park district, sporting club, youth group, soccer organization, religious organization, business, or other similar organization.

"Permitted User" means an Organization and all of its employees, agents, coaches, players, player's parents and guardians, participants and volunteers that use the District's Property for Soccer-Related Activities.

"Policy" means this Soccer Goal Safety And Education Policy.

"Property" means any real property owned or leased by the District or authorized to be used by the District pursuant to an intergovernmental agreement or other arrangement with another land owner or governmental body where any Movable Soccer Goal is used or located.

OPERATIONAL SERVICES

SAFETY PROGRAM - SOCCER GOAL SAFETY AND EDUCATION

“Safety Guidelines” mean the Guidelines for Safely Securing Movable Soccer Goals attached to this Policy as Appendix 1.

“Soccer-Related Activity” means the use of any Movable Soccer Goals on the District's Property, including without limitation, soccer games, scrimmages, practices and the like.

MOVING AND SECURING SOCCER GOALS

Prior to the commencement of the soccer season each year, the District will place and secure Movable Soccer Goals in accordance with the Safety Guidelines referenced herein. Only the District shall be permitted to move any Movable Soccer Goal the District owns, installs, or places on its Property.

Thereafter, if a Movable Soccer Goal becomes unanchored or improperly secured, only Authorized Personnel shall be permitted to re-secure it in accordance with the Safety Guidelines.

WARNING LABEL

Each movable soccer goal shall be affixed with warning labels that explain that movable soccer goals should be anchored at all times, and the risks associated with improper use, including that an unsecured goal can fall over causing serious injury or death.

ROUTINE INSPECTIONS BY THE DISTRICT

The District shall routinely inspect all movable soccer goals to verify that they are properly anchored down or secured.

PERMITTED USER INSPECTIONS, PLACEMENT IN NON-USE POSITION AND NOTICE TO USERS

As a condition of the use of the District's Property, before and after any Soccer-Related Activity, Permitted Users shall make a physical inspection of each Movable Soccer Goal to assure that the goal is secure in accordance with the Safety Guidelines. If any Movable Soccer Goal is not properly anchored down or secured in accordance with the Safety Guidelines referenced herein, the Permitted User shall carefully place the goal in a non-usable position by laying it forward onto its front bars and crossbar and shall immediately notify the District of the location of the goal.

OPERATIONAL SERVICES

SAFETY PROGRAM - SOCCER GOAL SAFETY AND EDUCATION

As a condition of the use of Property and prior to the commencement of the soccer season each year, each Organization shall advise all of its employees, agents, coaches, players, players' parents and guardians, participants and volunteers that no Movable Soccer Goal located on the District's Property may be moved, anchored or otherwise secured by them and that any use of a Movable Soccer Goal that is inconsistent with these Safety Guidelines and any Soccer-Related Activity is strictly prohibited, including without limitation, playing, climbing, or hanging on any part of a Movable Soccer Goal. A recommended notice form is attached hereto as Appendix 2.

USE OF DISTRICT PROPERTY BY PERMITTED USERS

A copy of this Policy shall be provided to all Organizations permitted to use the District's Property for Soccer-Related Activity. Prior to using the District's Property for Soccer-Related Activity, each Organization shall provide each of its Permitted Users with a copy of this Soccer Goal Safety and Education Policy and shall require that each of its Permitted Users comply with all applicable provisions of this Policy.

REMOVAL

At the conclusion of each soccer season, the District will either remove any Movable Soccer Goal that it has installed or otherwise placed on its Property and store any such goals at a secure location or otherwise secure such goals on its Property by either 1) placing the goal frames face to face (front posts and crossbars facing toward each other) and securing them at each goalpost with a lock and chain; 2) locking and chaining the goals to a suitable fixed structure such as a permanent fence; or 3) fully disassembling the goals for off-season storage.

ACQUISITION OF MOVABLE SOCCER GOALS

After the effective date of this policy, the District will not purchase any Moveable Soccer Goal unless it qualifies as tip-resistant and conforms to the American Society for Testing and Materials (ASTM) then current standard(s) for tip-resistant movable soccer goals.

APPLICABILITY

If any provision of this Policy conflicts with any provision of the Act, the provisions of the Act shall prevail.

This Policy shall not create any new liability or increase any existing liability of the District, or any of its officers, employees, or agents, which exists under any other law, including but not limited to the Local Governmental and Governmental Employees Tort Immunity Act, 745 ILCS 10/1-101 *et seq.* Nor shall this Policy alter, diminish, restrict, cancel, or waive any defense or immunity of the District or any of its officers, employees, or agents, which exists under any other law, including but not limited to the Local Governmental and Governmental Employees Tort Immunity Act, 745 ILCS 10/1-101 *et seq.*

OPERATIONAL SERVICES

SAFETY PROGRAM - SOCCER GOAL SAFETY AND EDUCATION

AVAILABILITY OF POLICY

All District employees who have responsibility for locating, installing, maintaining, anchoring or securing Movable Soccer Goals on the District's Property shall be advised of this Policy.

The District shall also make a copy of this Policy available to all other employees and any member of the public who request a copy from the Director of Building and Grounds by calling 630-539-3330.

AMENDMENTS

This Policy may be amended by the District at any time.

EFFECTIVE DATE

This Policy becomes effective immediately upon its adoption.

Legal Ref: 430 ILCS 145/1 *et seq.*
745 ILCS 10/1-101 *et seq.*

Adopted: September 27, 2018

APPENDIX 1

INTRODUCTION

The Guidelines for Movable Soccer Goal Safety published by the U.S. Consumer Product Safety Commission (CPSC), advise that a properly anchored / counter-weighted movable soccer goal is much less likely to tip over and recommend several different reliable methods for anchoring and securing a soccer goal. The following guidelines are taken from the CPSC recommendations for Anchoring/Securing moveable soccer goals and are hereby approved and adopted by School District 93.

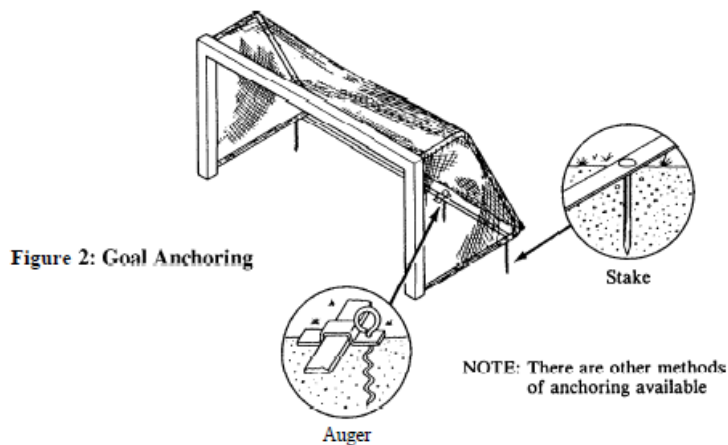
GUIDELINES FOR SAFELY SECURING MOVABLE SOCCER GOALS

The District recognizes that a properly anchored soccer goal is much less likely to tip over. Accordingly, it is **IMPERATIVE** that **ALL** movable soccer goals located on the District's Property are always anchored properly (*e.g.*, see CPSC Figure 2 below) and that they are secured to the ground (preferably at the rear of the goal), making sure the anchors are flush with the ground and clearly visible.

There are several different ways to secure a Movable Soccer Goal. The number and type of anchors to be used will depend on a number of factors, such as soil type, soil moisture content, and total goal weight. Each goal shall be secured in accordance with the appropriate anchoring system as set forth below.

In addition, warning labels required by the District's Soccer Goal Safety and Education Policy will be attached to each Movable Soccer Goal. Nets shall be also be properly secured to posts, crossbars and backdrops with tape, velcro straps or other appropriate material.

Illustrations and Recommendations according to the U.S. Consumer Product Safety Commission



Anchor Types

1. Auger style

This style anchor is “helical” shaped and is screwed into the ground. A flange is positioned over the ground shoes (bar) and rear ground shoe (bar) to secure them to the ground. A minimum of two auger-style anchors (one on each side of the goal) are recommended. More may be required, depending on the manufacturer’s specifications, the weight of the goal, and soil conditions.

Figure 3.1: Auger Style Anchor



2. Semi-permanent

This anchor type is usually comprised of two or more functional components. The main support requires a permanently secured base that is buried underground. One type (CPSC Figure 3.2a) of semi-permanent anchor connects the underground base to the soccer goal by means of 2 tethers. Another design (CPSC Figure 3.2b) utilizes a buried anchor tube with a threaded opening at ground level. The goal is positioned over the buried tube and the bolt is passed through the goal ground shoes (bar) and rear ground shoe (bar) and screwed into the threaded hole of the buried tube.

Figure 3.2a: Semipermanent Anchor

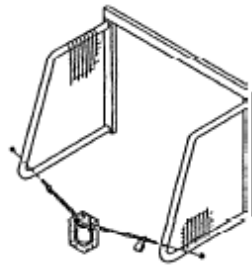
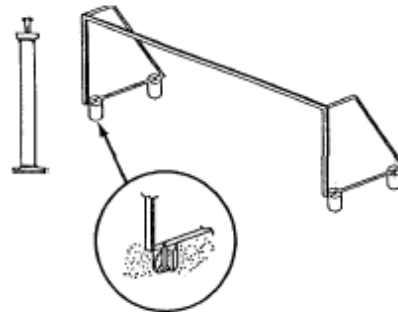


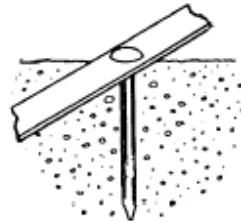
Figure 3.2b: Semipermanent Anchor



3. Peg or Stake style (varying lengths) Anchor

Typically two to four pegs or stakes are used per goal (more for heavier goals) (CPSC Figure 3.3). The normal length of a peg or stake is approximately 10 inches (250mm). Care should be taken when installing pegs or stakes. Pegs or stakes should be driven into the ground with a sledge-hammer as far as possible and at an angle if possible, through available holes in the ground shoes (bar) and rear ground shoe (bar) to secure them to the ground. If the peg or stake is not flush with the ground, it should be clearly visible to persons playing near the soccer goal. Stakes with larger diameters or textured surfaces have greater holding capacity.

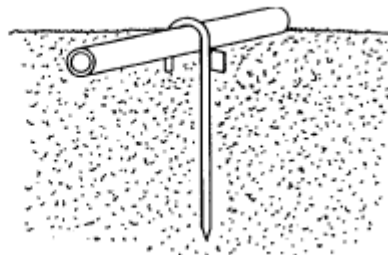
Figure 3.3: Peg or Stake Style Anchor



4. J-Hook Shaped Stake style

This style is used when holes are not pre-drilled into the ground shoes (bars) or rear ground shoe (bar) of the goal. Similar to the peg or stake style, this anchor is hammered, at an angle if possible, directly into the earth. The curved (top) position of this anchor fits over the goal member to secure it to the ground (CPSC Figure 3.4). Typically, two to four stakes of this type are recommended (per goal), depending on stake structure, manufacturers specifications, weight of goal, and soil conditions. Stakes with larger diameters or textured surfaces have greater holding capacity.

Figure 3.4: J-Hook Anchor



APPENDIX 2

SAMPLE NOTICE

**TO ALL PARENTS AND GUARDIANS OF SOCCER PLAYERS,
PARTICIPANTS AND VOLUNTEERS:**

One of the primary objectives of School District 93 is that children have safe recreation areas. To that end, soccer goals should remain securely anchored to the ground and nets firmly attached to the goals.

In an effort to keep the goals and nets secure and children safe, you are required to advise your children/soccer players and any other person accompanying you for whom you are responsible that the following is strictly prohibited: moving any soccer goals and any use of a soccer goal that is inconsistent with soccer-related activity, including without limitation, playing, climbing, or hanging on any part of the soccer goal. This especially applies to children climbing on or hanging from nets or goal frames. According to the U.S. Consumer Product Safety Commission, these activities can result in serious injury, including death.

If you observe any child inappropriately using a soccer goal or net, immediately and politely ask the child to stop. If the activity continues, please notify a coach or referee as soon as possible.

Finally, if you see any soccer goal that is not anchored down or any net that is not firmly secured to the goal, please notify a coach or referee immediately.

Sincerely,

COMMUNITY CONSOLIDATED SCHOOL DISTRICT 93